

COSO[®]
DESIGN

Original Operation Manual

**Power Juicer
PJ 800**



Item no. 13520

USA Branch

CASO Design USA LLC

50 Mountain View Rd

Warren, NJ, 07059

Info@CasoDesignUSA.com

www.CasoDesignUSA.com

T.: 908.604.0677

Document No.: 13520 2014-08-26

Printing and typographical errors reserved.

© 2018 CASO Design USA LLC

1	Operating Manual	4
	1.1 Important Safeguards	4
	1.2 General.....	4
	1.3 Information on this manual	4
	1.4 Warning notices	5
	1.5 Limitation of liability	5
	1.6 Copyright protection.....	6
2	Safety	6
	2.1 Intended use	6
	2.2 General Safety information	6
	2.3 Sources of danger.....	7
	2.3.1 Dangers due to electrical power	7
3	Set-Up	7
	3.1 Safety information.....	8
	3.2 Delivery scope and transport inspection	8
	3.3 Disposal of the packaging.....	8
	3.4 Setup	8
	3.5 Electrical requirements.....	9
4	Design and Function	9
	4.1 Overview and assembling	9
	4.2 Performances	10
5	Operation and handling	10
	5.1 Before initial use	10
	5.2 How to use	10
	5.2.1 Additional safety button	11
6	Cleaning and maintenance	12
	6.1 Safety information.....	12
	6.2 Cleaning	12
7	Troubleshooting	12
	7.1 Troubles	12
8	Disposal of the Old Device	13
9	Guarantee	13
10	Technical Data	14

1 Operating Manual

1.1 Important Safeguards

1. Read all instructions before using.
2. To protect against electrocution do not immerse any part of the unit in liquid.
3. Children must be closely supervised when near the unit. Do not let children operate the unit without close supervision.
4. Unplug the unit when not in use and before cleaning. Allow unit to cool before cleaning.
5. Inspect the unit, its power cord and plug for any damage before using. If there appears to be any damage or if the unit shows signs of malfunctioning, do not use the appliance. Return the appliance to the nearest authorized service facility for inspection and repair.
6. Do not use accessory attachments that have not been recommended by the manufacturer to avoid the risks of fire, electric shock or injury.
7. Do not use outdoors.
8. Do not allow cord to touch hot surfaces or hang over sharp edges such as those on countertops.
9. Do not place the unit on or near a hot gas or electric burner, or heated oven.
10. Exercise caution when moving cookware containing hot oil or other hot liquids.
11. To unplug the unit, turn off the unit, then remove the plug from its outlet.
12. Do not use this appliance for any unintended use.
13. SAVE THESE INSTRUCTIONS.

1.2 General

Thanks for using our Power Juicer. Before use, please read this manual carefully to correctly understand how to use the juice extractor and fully use its superior properties. Please keep properly this manual for reference when necessary. If there are any questions during use, please contact our after-sale service station or our company directly. We are always at your service. Thank you very much.

1.3 Information on this manual

These Operating Instructions are a component of the Power Juicer (referred to hereafter as the Device) and provide you with important information for the initial commissioning, safety, intended use and care of the device.

The Operating Instructions must be available at all times at the device. This Operating Manual must be read and applied by every person who is instructed to work with the device:

- Commissioning
- Operation
- Troubleshooting and/or
- Cleaning

Keep the Operating Manual in a safe place and pass it on to the subsequent owner along with the device.

1.4 Warning notices

The following warning notices are used in the Operating Manual concerned here.

Danger

A warning notice of this level of danger indicates a potentially dangerous situation.

If the dangerous situation is not avoided, this can lead to death or serious injuries.

- ▶ Observe the instructions in this warning notice in order to avoid the danger of death or serious personal injuries.

Warning

A warning notice of this level of danger indicates a possible dangerous situation.

If the dangerous situation is not avoided, this can lead to serious injuries.

- ▶ Observe the instructions in this warning notice in order to avoid the personal injuries.

Attention

A warning notice of this level of danger indicates a possible dangerous situation.

If the dangerous situation is not avoided, this can lead to slight or moderate injuries.

- ▶ Observe the instructions in this warning notice in order to avoid the personal injuries.

Please note

A notice of this kind indicates additional information, which will simplify the handling of the machine.

1.5 Limitation of liability

All the technical information, data and notices with regard to the installation, operation and care are completely up-to-date at the time of printing and are compiled to the best of our knowledge and belief, taking our past experience and findings into consideration.

No claims can be derived from the information provided, the illustrations or descriptions in this manual.

The manufacturer does not assume any liability for damages arising as a result of the following:

- Non-observance of the manual
- Uses for non-intended purposes
- Improper repairs
- Technical alterations
- Use of unauthorized spare parts

All translations are carried out to the best of our knowledge. We do not assume any liability for translation errors, not even if the translation was carried out by us or on our instructions. The original German text remains solely binding.

1.6 Copyright protection

This document is copyright protected.

CASO Design USA LLC reserves all the rights, including those for photomechanical reproduction, duplication and distribution using special processes (e.g. data processing, data carriers, data networks), even partially.

Subject to content and technical changes.

2 Safety

This chapter provides you with important safety notices when handling the device.

The device corresponds with the required safety regulations. Improper use can result in personal or property damages.

2.1 Intended use

This device is only intended for use in households in enclosed spaces for

- Extracting juice from vegetables and / or fruit

Uses for a different purpose or for a purpose which exceeds this description are considered incompatible with the intended or designated use.

Warning

Danger due to unintended use!

Dangers can emanate from the device if it is used for an unintended use and/or a different kind of use.

- ▶ Use the device exclusively for its intended use.
- ▶ Observe the procedural methods described in this Operating Manual.

Claims of all kinds due to damages resulting from unintended uses are excluded.

The User bears the sole risk.

2.2 General Safety information

Please note

Please observe the following general safety notices with regard to the safe handling of the device.

- ▶ Do not let the product operate unsupervised.
- ▶ Do not let children operate this device.
- ▶ Do not overload the device and do not let it operate un-loaded.
- ▶ Do not empty the residue barrel before removing the plug out of the plug socket.
- ▶ Be sure the parts are properly assembled to original base and in place.
- ▶ If the supply cord is damaged, it must be replaced by the manufacturer or its service agent or similarly qualified person in order to avoid a hazard.
- ▶ This appliance is not intended for use by persons (including children) with reduced physical, sensory or mental capabilities, or lack of experience and knowledge, unless they have been given supervision or instruction concerning use of the appliance by a person responsible for their safety.
- ▶ Do not use appliance for other than intended household use.

- ▶ Please correctly install all parts of the product before operating it. Make sure the transparent cover is well-covered and the hand clasp is well-fastened.

Please note

- ▶ Store the device out of reach from children.
- ▶ Do not use the device if the juicing net is damaged.
- ▶ Do not extract juice from any extremely hard food (e.g. nuts), fiber-rich food (e.g. sugarcane) or food with little juice (e.g. banana).
- ▶ The food must fulfil national standards.
- ▶ If you misuse the device it can lead to injuries.
- ▶ Do not use the device if the rotating sieve or the protecting cover are damaged or have visible cracks.
- ▶ Switch off the device and remove the plug before changing accessories or touching parts that move.
- ▶ Avoid contacting moving parts.
- ▶ Always make sure that the juice cover is clamped securely in place before motor is turned on. Do not unfasten clamps while juicer is in operation.
- ▶ Do not put your fingers or other objects into the juicer while operation. If there is food stuck in the feeding tube, only use the pushing bar or another piece of fruit/vegetable to push it down. When this fails, turn off the device and disassemble juicer to remove the remaining food.
- ▶ Do not operate the device without the pulp container in place.
- ▶ Any other servicing should be performed by an authorized representative.

2.3 Sources of danger

2.3.1 Dangers due to electrical power

Danger

Mortal danger due to electrical power!

Mortal danger exists when coming into contact with live wires or subassemblies!
Observe the following safety notices to avoid dangers due to electrical power:

- ▶ Check the rating of the appliance is same as your local mains supply.
- ▶ Unplug from the outlet when not in use and before cleaning. Allow to cool before putting on or taking off parts and before cleaning or storing the appliance.
- ▶ Do not attempt to open the cabinet or dismantle any parts from the appliance; there is no serviceable part inside.
- ▶ In case of damage of the power wire or any other part/component, do not use the electrical appliance.
- ▶ Do not dip the host, power wire and/or plug into water to avoid electrical shock hazard.

3 Set-Up

This chapter provides you with important safety notices during the initial commissioning of the device. Observe the following notices to avoid dangers and damages:

3.1 Safety information

Warning

Personal and property damages can occur during commissioning of the device!

Observe the following safety notices to avoid such dangers:

Warning

► Packaging materials may not be used for playing. There is a danger of suffocation.

3.2 Delivery scope and transport inspection

As a rule, the Power Juicer is delivered with the following components:

- Pushing bar
- Transparent cover
- Juicing net
- Middle ring
- Handle
- Residue barrel
- Main machine
- Juice jug
- Operating Instructions

Please note

- Examine the shipment for its completeness and for any visible damages.
- Immediately notify the carrier, the insurance and the supplier about any incomplete shipment or damages as a result of inadequate packaging or due to transportation.

3.3 Disposal of the packaging

The packaging protects the device against damages during transit. The packaging materials are selected in accordance with environmentally compatible and recycling-related points of view and can therefore be recycled.



Returning the packaging back to the material loop saves raw materials and reduces the quantities of accumulated waste. Take any packaging materials that are no longer required to "Green Dot" recycling collection points for disposal.

Please note

- If possible, keep the original packaging for the device for the duration of the guarantee period of the device, in order that the device can be re-packaged properly in the event of a guarantee claim.

3.4 Setup

To ensure a safe and error free operation of the Device the location should fulfill the following requirements:

- Place the device on a firm and even work surface.
- Do not use the unit outdoors.

-
- Do not let cord hang over the edge of table or counter or touch hot surface.
 - Do not operate the product near hot gas or hot stove.
 - Keep the motor dry and clean for frequent use.
 - If you do not use the device very often, store it on a dry and well-circulated location to avoid that the motor gets damp and moldy.

3.5 Electrical requirements

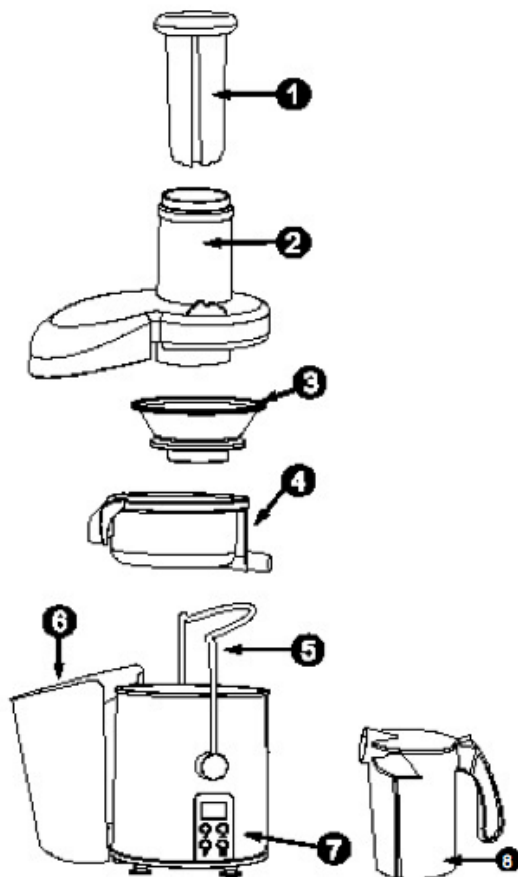
In order to ensure the safe and trouble-free operation of the device, the following instructions must be observed for the electrical connection:

- Before connecting the device, compare the connection data (voltage and frequency) on the rating plate with those of your electrical network. This data must agree in order that no damages occur in the device. If in doubt, ask your qualified electrician.
- This appliance has a polarized plug (one blade is wider than the other). To reduce the risk of electric shock, this plug will fit into an outlet only one way. If the plug does not fit into an available outlet, contact a qualified electrician. Do not modify the plug in any way.

4 Design and Function

This chapter provides you with important safety notices on the design and function of the device.

4.1 Overview and assembling



- 1 Pushing bar
- 2 Transparent cover
- 3 Juicing net
- 4 Middle ring
- 5 Handle
- 6 Residue barrel
- 7 Main machine
- 8 Juice jug

4.2 Performances

1. The opening of the device has a really large diameter, so that entire apples or pears can be put in for juicing. No cutting into pieces necessary – quick and easy.
2. The design is nice and simple, combined with structure. Easy to operate and to clean.
3. High speed motor with overheating protection – highly efficient, time and energy saving and durable.
4. The safety lock of the device is specially designed in order to ensure a safe and reliable use.

5 Operation and handling

This chapter provides you with important notices with regard to operating the device. Observe the following notices to avoid dangers and damages.

Warning

- ▶ Do not let the device unsupervised during operation to be able to react quickly in case of dangers.

5.1 Before initial use

1. Before juicing, first confirm that the juicing net and the rotor are clutched in position and that there is no hard contact between juicing net, cutter and transparent cover. Put the transparent cover on, fasten tight the handle, then turn on the machine.
2. This device is equipped with a safety lock. When the parts are not locked in properly, the motor will not turn on.
3. When disassembling or assembling the juicer, press the upper of feed port of the cover with your hand, then force the handle to slide in or out of cover slot.
4. When disassembling juicing net, first remove the cover and residue barrel, then turn the middle ring up to 30 degrees by holding juicing nozzle with your hand and take it off. The juicing net will automatically leave the rotor.
5. Clean all the detachable parts (refer to the section of "cleaning and maintenance").
6. When assembling, please stick to the picture in the section "overview and assembling".

Please note

- ▶ When using the device for the first time the motor works in running-in phase. Slight peculiar smell and spark can appear; this is normal. After the motor works for some period, this phenomenon will disappear.

5.2 How to use

Attention

Please observe the following safety notices, before you commence with cleaning the device:

- ▶ Before using, please confirm the power switch of the device in „Stop“-state. In this way, in case assembly is not completed, starting of the main machine can be avoided. Unnecessary damage of persons or property is avoided.

► Do not open the cup cover during using. In case power supply is on, do not put hand or any object into the mixing cup or feed port, otherwise harmful accident may occur or the device may be damaged.

1. Connect the power, after you properly installed the device. The screen will show „3“ as the default speed. Also the number and the speed name will blink at the same time.
2. Press the ON/OFF button. When the number and the speed name turn from blinking to constantly lighting, the device will start working. To stop the device press the ON/OFF button again. The number and speed name will blink again.
3. Press the + or – button to accelerate or decelerate the speed.
Lowest speed: 1, highest speed: 4
4. If you need instant higher speed, press the „pulse“ button which is the same as speed level 4. You cannot stop this program with the ON/OFF button.

Speed level	Speed name	Fruit / Vegetable	Rotating speed (r/min)
1	SOFTFRUIT	Grape / watermelon / peach etc.	7000
2	CITRUS	Citrus / orange / pear etc.	8800
3	PINEAPPLE	Pineapple /cantaloupe etc.	10200
4	APPLE	Apple / ginger etc.	12000

Juicing vegetables and fruit

Check speed level chart above to determine correct speed for the fruit/vegetable you are using.

Let the device work for 1 min, then pause for 1 min and repeat this 3 times. Let the motor cool down completely before you use it again.

This way the service life of the device will be prolonged and it will work more efficiently.

5.2.1 Additional safety button

The Power Juicer also has an additional safety button at the back of the machine, it is also a main switch. After connecting the plug, please turn on this safety button to make the machine power on, then turn on ON/OFF switch to start juicing. Please don't forget to shut this button down after finishing juicing.



6 Cleaning and maintenance

This chapter provides you with important notices with regard to cleaning and maintaining the device. Please observe the notices to prevent damages due to cleaning the device incorrectly and to ensure trouble-free operation.

6.1 Safety information

Attention

Please observe the following safety notices, before you commence with cleaning the device:

- ▶ The blades are really sharp. Handle them with care.

6.2 Cleaning

1. Before cleaning, please let the host cool down sufficiently and pull out the power wire.
2. Firstly, open the hand clasp. Take out the transparent cover, juicing filter, pushing bar, juice jug and residue barrel. Clean them in clear water. Use a brush for cleaning.
3. Do not clean the main machine. Only wipe it with a damp cloth. The other parts (pressing bar, cover, middle ring, residue barrel, juice jug) can be directly cleaned with water.
4. After cleaning, use a dry cloth to dry the appliance. Mount it and store it at a dry, safe place.
5. To clean the juice outlet, firstly remove the middle ring.
6. The cutting teeth in the juicing screen are very sharp. Please operate carefully.
7. The cutters are very sharp. Hold them under running water to clean them, do not clean them by hand.

7 Troubleshooting

This chapter provides you with important notices with regard to operating the device. Observe the following notices to avoid dangers and damages.

7.1 Troubles

Problem	Solution
The device does not start.	<ul style="list-style-type: none">• Please confirm whether the power plug is properly plugged.• Please confirm whether the assembly is done according to assembly methods.
The amount of juice is really little and residues are still very damp.	<ul style="list-style-type: none">• Check whether stale food is used.• Food that was stored in the refrigerator for a long time must be soaked in clear water for at least 10 minutes before using them.
Shutdown during use.	<ul style="list-style-type: none">• Check whether too much food is used.• Check whether the food contains hard cores.

The device makes loud noise during use.	<ul style="list-style-type: none"> • If hard food is juiced, loud noise may appear. This is normal.
---	--

Attention

- ▶ If you could not solve the problem by following the steps mentioned above, please contact the service center.

8 Disposal of the Old Device

Old electric and electronic devices frequently still contain valuable materials. However, they also contain damaging substances, which were necessary for their functionality and safety.

If these were put in the non-recyclable waste or were handled incorrectly, they could be detrimental to human health and the environment. Therefore, do not put your old device into the non-recyclable waste under any circumstances.



Please note

- ▶ Utilise the collection point, established in your town, to return and recycle old electric and electronic devices. If necessary, contact your town hall, local refuse collection service or your dealer for information.
- ▶ Ensure that your old device is stored safely away from children until it is taken away.

9 Guarantee

12 Months Limited Warranty

Caso Design USA warrants that for a period of 12 months from the date of purchase, this product will be free from defects in material and workmanship. Caso Design USA at its option, will repair or replace this product or any component of the product found to be defective during the warranty period. Replacement will be made with a new or remanufactured product or component. If the product is no longer available, replacement may be made with a similar product of equal or greater value. This is your exclusive warranty. DO NOT attempt to repair or adjust any electrical or mechanical functions on this product. Doing so will void this warranty.

This warranty is valid for the original retail purchaser from the date of the initial retail purchase and is not transferable. Keep the original sales receipt. Proof of purchase is required to obtain warranty performance.

This limited warranty does not cover normal wear of parts or damage resulting from any of the following: negligent use or misuse of the product, use on improper voltage or current, use contrary to the operating instructions, disassembly, repair or alteration by anyone other than Caso Design USA service center. Further this limited warranty does not cover: Acts of God, such as fire, flood, hurricanes and tornadoes.

What are the limits on Caso Design USA's Liability?

Caso Design USA shall not be liable for any incidental or consequential damages caused by the breach of any express, implied or statutory warranty or condition.

Except to the extent prohibited by applicable law, any implied warranty or condition of merchantability or fitness for a particular purpose is limited in duration to the duration of the above warranty.

Caso Design USA disclaims all other warranties, conditions, or representations, express implied, statutory or otherwise.

Caso Design USA shall not be liable for any damages of any kind resulting from the purchase, use or misuse of, or inability to use the product including incidental, special, consequential or similar damages or loss of profits, or for any breach of contract, fundamental or otherwise, or for any claim brought against purchaser by any other party.

Some provinces, states or jurisdictions do not allow the exclusion or limitation of the incidental or consequential damages or limitations on how long an implied warranty lasts, so the above limitations or exclusions may not apply to you.

This warranty gives you specific legal rights, and you may also have other rights that vary from province to province, state to state, or jurisdiction to jurisdiction.

10 Technical Data

Device	Power Juicer PJ 800
Article no.	13520
Net Weight	7.49 lbs
Rated Voltage	120 V
Rated Frequency	60 Hz
Motor Power	800 watts