

COSO®
DESIGN

Instruction Manual

Air Fryer

AF 300



Intertek
4000186



Item No. 13172

USA Branch

CASO Design USA LLC

50 Mountain View Rd

Warren, NJ, 07059

Info@CasoDesignUSA.com

www.CasoDesignUSA.com

Document No.: 13172 2018-08-16

© 2018 CASO International GmbH

| | |
|---|-----------|
| 1. Instruction Manual | 5 |
| 1.1 IMPORTANT SAFEGUARDS | 5 |
| 1.2 General | 6 |
| 1.3 Use of this manual | 6 |
| 1.4 Warning notices | 6 |
| Limitation of liability | 7 |
| 1.5 Copyright protection | 7 |
| 2 Safety | 8 |
| 2.1 Intended use | 8 |
| 2.2 General safety information | 8 |
| 2.3 Sources of danger | 9 |
| 2.3.1 Burn danger | 9 |
| 2.3.2 Fire danger..... | 9 |
| 2.3.3 Electrocution warning..... | 10 |
| 3 Getting Started | 10 |
| 3.1 Safety information | 10 |
| 3.2 What's included | 11 |
| 3.3 Unpacking | 11 |
| 3.4 Disposal of the packaging | 11 |
| 3.5 Setup | 11 |
| 3.5.1 Setup location requirements: | 11 |
| 3.6 Electrical connection | 12 |
| 3.6.1 Extension cords | 13 |
| 3.6.2 Polarization instruction | 13 |
| 4 Complete Overview | 13 |
| 4.1 Appliance diagram | 13 |
| 4.2 Control Panel | 14 |
| 4.3 Rating plate | 14 |
| 5 Operation | 14 |
| 5.1 Prior to the first use | 14 |
| 5.2 Overheating safeguard | 15 |
| 5.3 Hotkey function | 15 |
| 5.4 Boost | 15 |
| 5.5 Program settings | 15 |
| 5.6 8 auto pre-set programs | 17 |
| 5.7 Use | 18 |
| 5.9 Storage | 19 |

| | | |
|------------|--|-----------|
| 6 | Cleaning and Maintenance | 19 |
| 6.1 | Safety information | 19 |
| 6.2 | Cleaning | 20 |
| 7 | Troubleshooting | 21 |
| 7.1 | Safety notices | 21 |
| 8 | Disposal of the Old Appliance | 21 |
| 9 | Warranty | 21 |
| 10 | Technical Data | 22 |

1. Instruction Manual

1.1 IMPORTANT SAFEGUARDS

1. Read all instructions before using.
2. This appliance generates heat. Do not touch hot surfaces.
3. To protect against electrocution do not immerse any part of the appliance in liquid.
4. Children must be closely supervised when near the appliance. Do not let children operate appliance without close supervision.
5. Unplug the appliance when not in use and before cleaning. Allow appliance to cool down before cleaning.
6. Inspect the appliance, its power cord and plug for any damage before using. If there appears to be any damage or if the appliance shows signs of malfunctioning, do not use the appliance. Contact Frieling USA, Inc. for inspection and repair.
7. Do not use outdoors.
8. Do not allow cord to touch hot surfaces or hang over sharp edges such as those on countertops.
9. Do not place the appliance on or near a hot gas or electric burner, or heated oven.
10. Do not carry the appliance around when it contains hot food.
11. Always connect power cord to the appliance first, then insert the plug into the electrical outlet. Before unplugging, make sure the appliance is not in use, then unplug.
12. Do not use this appliance for any unintended use.
13. SAVE THESE INSTRUCTIONS.

1.2 General

Thank you for purchasing the AF300 Air Fryer. Please read this manual carefully before using your new appliance to familiarize yourself with all its features. In the following pages, you'll learn to properly care for and safely operate your appliance, helping it to perform at peak efficiency for years to come. Please save these instructions and read all instructions before using.

1.3 Use of this manual

This manual provides important information on the initial setup, safe operation, intended use, care and cleaning of the appliance. It also includes a helpful troubleshooting section to address common questions that may arise during operation. The manual should be read by anyone planning to use the appliance.

Please store this manual in a safe place near the appliance for easy reference.

1.4 Warning notices

Please pay special attention to the following alerts and notices found throughout the manual:

DANGER

A warning notice of this level of danger indicates a potentially dangerous situation.

If the dangerous situation is not averted, this can lead to death or serious injuries.

- ▶ Observe the instructions in this warning notice in order to avoid the danger of death or serious personal injuries.

WARNING

A warning notice of this level of danger indicates a possible dangerous situation.

If the dangerous situation is not averted, this can lead to severe injuries.

- ▶ Observe the instructions in this warning notice in order to avoid the personal injuries.

ATTENTION

A warning notice of this level of danger indicates a possible dangerous situation.

If the dangerous situation is not averted, this can lead to slight or moderate injuries.

- ▶ Observe the instructions in this warning notice in order to avoid the personal injuries.

PLEASE NOTE

A notice of this kind indicates additional information, which will simplify the handling of the machine.

Limitation of liability

All the technical information, data and notices with regard to the installation, operation and care are completely up-to-date at the time of printing and are compiled to the best of our knowledge and belief, taking our past experience and findings into consideration.

No claims can be derived from the information provided, the illustrations or descriptions in this manual.

The manufacturer does not assume any liability for damages arising as a result of the following:

- Non-observance of the manual
- Uses for non-intended purposes
- Improper repairs
- Technical alterations
- Use of unauthorized spare parts

All translations are carried out to the best of our knowledge. We do not assume any liability for translation errors, not even if the translation was carried out by us on our behalf. The original German text remains solely binding.

1.5 Copyright protection

This document is copyright protected.

CASO International GmbH reserves all the rights, including those for photomechanical reproduction, duplication and distribution using special processes (e.g. data processing, data carriers, data networks), even partially. Subject to content and technical changes.

Subject to content and technical changes.

2 Safety

This chapter provides you with important safety notices when handling the appliance.

The appliance corresponds with the required safety regulations. Improper use can result in personal or property damages.

2.1 Intended use

IMPORTANT: This appliance is intended for **HOUSEHOLD USE ONLY**. It is designed for home use and is not suitable for commercial application.

This appliance is only intended for use in households in enclosed spaces for air-frying food. Uses for a different purpose or for a purpose which exceed this description are considered incompatible with the intended or designated use.

DANGER

Danger due to unintended use.

Failure to operate this appliance only as intended can be dangerous.

- ▶ Use the appliance exclusively for its intended use.
- ▶ Follow all instructions in this instruction manual.

Claims of all kinds due to damages resulting from unintended uses are excluded. The User bears the sole risk.

2.2 General safety information

PLEASE NOTE

Examine the appliance for any visible damage prior to use. Do not use the appliance if it appears damaged.

- ▶ If the power cord is damaged, do not use the appliance. You will need to have it repaired by an authorized electrician.
- ▶ Persons who may not be able to safely operate the appliance due to any physical, mental or motor disabilities may only use the appliance under the direct supervision of a responsible person.
- ▶ Do not permit children under the age of 8 to use the appliance unless supervised. Children of all ages should be supervised when they are anywhere near the appliance while in use.
- ▶ Cleaning and maintenance must not be done by children under the age of 8 and should be supervised.

PLEASE NOTE

- ▶ Keep the appliance and the cable out of reach of children under 8 years.
- ▶ Do not leave the appliance unsupervised during operation.
- ▶ Only qualified electricians, who have been trained by the manufacturer, may carry out any repairs on the appliance.
- ▶ Only customer service departments authorized by the manufacturer may carry out repairs during the warranty period, otherwise the warranty will be null and void in the event of any subsequent damages.
- ▶ Defective components must always be replaced with original replacement parts. Only such parts will guarantee that the safety requirements are fulfilled.
- ▶ Do not immerse the appliance and its components in water or other liquids, and do not put it in the dishwasher.
- ▶ Remove the plug from the wall socket by pulling the plug, not the power cord.
- ▶ Do not place too much food in the frying basket at the same time.
- ▶ Do not fill the appliance with food during pre-heating.

2.3 Sources of danger

2.3.1 Burn danger

DANGER

Some of the appliance's surfaces can become very hot.

Adhere to the following safety guidelines to reduce the risk of burns:

- ▶ Never move the appliance when it is switched on or is still hot. Turn off the appliance and wait until it has cooled down before moving it.

2.3.2 Fire danger

DANGER

There is a danger of fire if the appliance isn't used properly.

Observe the following safety notices:

- ▶ Do not set up the appliance near flammable materials.
- ▶ Keep this appliance away from all other sources of heat, such as stovetops, ovens, etc.

2.3.3 Electrocutation warning

DANGER

Due to the risk of electrocution, never attempt to touch or repair live wires or subassemblies!

Observe the following safety guidelines to avoid dangers due to electrical power:

- ▶ If the power cord connection to the main appliance is damaged, you will need to have it repaired or replaced by an authorized electrician.
- ▶ Do not operate the appliance if its power cord or plug appears to be damaged, malfunctioning or if the appliance has been dropped. If the power cord is damaged, you will need to have it repaired or replaced by an authorized electrician or the manufacturer to avoid risk of injury.
- ▶ Never attempt to open the appliance's housing under any circumstances. There is a danger of electrocution whenever the housing is opened. In addition, the appliance will not function properly if the housing is open.
- ▶ Never touch the appliance or its plug with wet hands.
- ▶ Switch off the appliance and remove the plug from the wall socket in the event of a malfunction during use, and before cleaning the appliance or storing the appliance after use.
- ▶ Do not pick up the appliance if it falls into water. Remove the plug from the wall socket immediately. Do not use the appliance any more.

3 Getting Started

This chapter will guide you through safely unpacking and setting up your new Air Fryer AF 300.

3.1 Safety information

DANGER

Packaging materials are not toys and should be disposed of properly.

- ▶ Do not allow children to play with packaging materials due to risk of suffocation.

3.2 What's included

The Air Fryer AF 300 includes the following components:

- Air Fryer AF 300
- Frying pot
- Frying basket
- Instruction manual

PLEASE NOTE

- ▶ Examine the shipment to ensure the appliance and manual are included and inspect the appliance for any visible damage.
- ▶ Immediately notify the carrier and/or the supplier about an incomplete shipment or any damage as a result of inadequate packaging or mishandling.

3.3 Unpacking

Carefully remove the packaging material, display sticker and appliance from the carton.

3.4 Disposal of the packaging

The packaging protects the appliance against damages during transit. The packaging materials are fully recyclable.

PLEASE NOTE

- ▶ If possible, keep the original packaging for the appliance for the duration of the warranty period, so that the appliance can be re-packaged properly in the event of a warranty claim.

3.5 Setup

3.5.1 Setup location requirements:

In order to ensure the safe and trouble-free operation of the appliance, the setup location must fulfill the following prerequisites:

- The appliance must be set up on a solid, even, horizontal surface capable of supporting the Air Fryer.
- Select a setup location where children cannot reach the appliance.
- Do not set up the appliance in a hot or humid environment or near flammable material.

-
- To operate correctly, the appliance requires sufficient air flow. Leave at least 10 centimeters (4 inches) of space on all sides when setting up the appliance.
 - Do not move the Air Fryer when it is in operation.
 - The electrical outlet must be easily accessible so that the plug can be quickly disconnected in the case of an emergency.
 - The setup of this appliance in non-stationary locations (e.g., boats, airplanes, motor homes) must be carried out by a qualified electrician, provided they guarantee the prerequisites for the safe use of the appliance.
 - The appliance is not suitable to be installed in an area where water may spray.

3.6 Electrical connection

In order to ensure the safe and trouble-free operation of the appliance, the following instructions must be observed for the electrical connection:

- Before plugging in the appliance, compare the voltage and frequency data on the Air Fryer's rating plate (found on the bottom of the appliance) with that of your electrical network. This data must be compatible. If in doubt consult a qualified electrician.
- The use of a multi-plug outlet adapter is not recommended due to fire danger.
- Inspect the power cord for damage and ensure it doesn't run under the appliance or over hot or sharp surfaces.
- The electrical safety of the appliance is only guaranteed if it is connected to a properly installed protective conductor system. Operations using an electrical outlet without a protective conductor are prohibited. If in doubt, have the house installation checked by a qualified electrician. The manufacturer cannot be made responsible for damages that are caused by a missing or damaged protective conductor.
- Make sure you always use a grounded wall socket to connect the appliance.
- This appliance may not be used through an external timer or by means of a remote control.

3.6.1 Extension cords

If an extension cord is used:

- ▶ The electrical rating of the extension cord should be at least as great as the electrical rating of the appliance.
- ▶ The cord should be arranged so that it does not drape over a countertop or tabletop where it can be pulled on by children or tripped over.
- ▶ When using an extension lead always make sure that the entire cable is unwound from the reel.

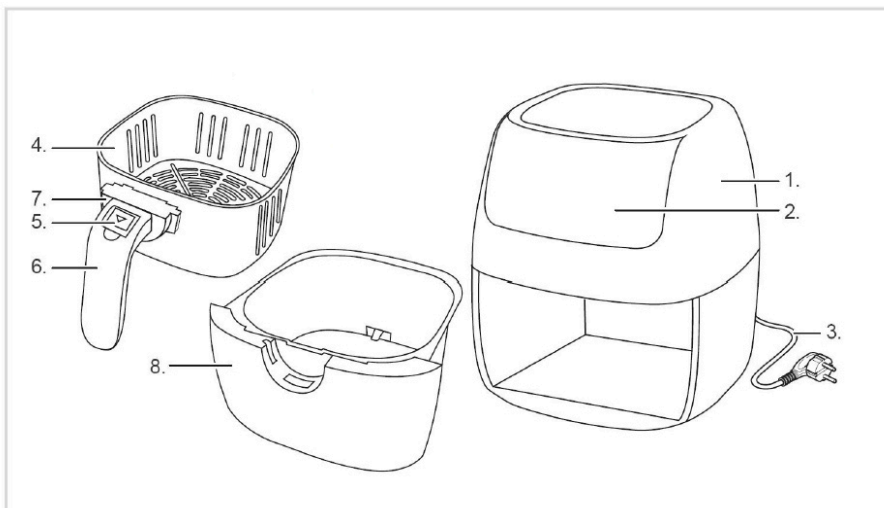
3.6.2 Polarization instruction

- ▶ To reduce the risk of electric shock, this product has a polarized plug (one blade is wider than the other). This plug is intended to fit in a polarized outlet only one way.
- ▶ If the plug does not fit fully in the outlet, reverse the plug and try again.
- ▶ If it still does not fit properly, contact a qualified electrician to install the proper outlet.
- ▶ Do not alter the plug in any way.

4 Complete Overview

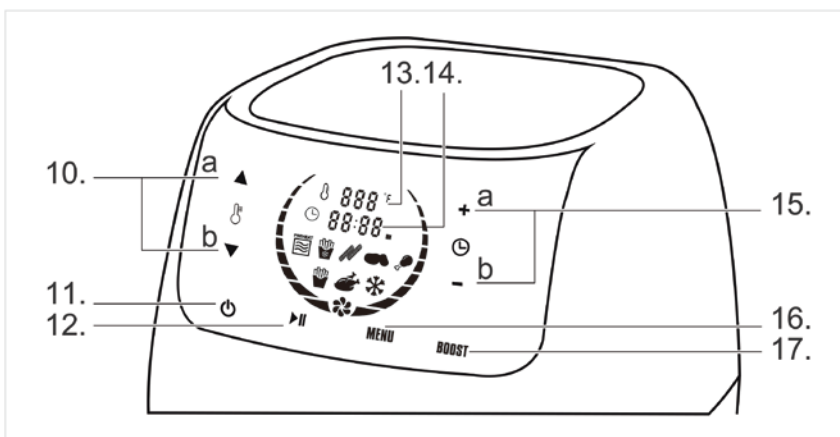
This chapter provides you with an overview of your Air Fryer and explains some of its key features.

4.1 Appliance diagram

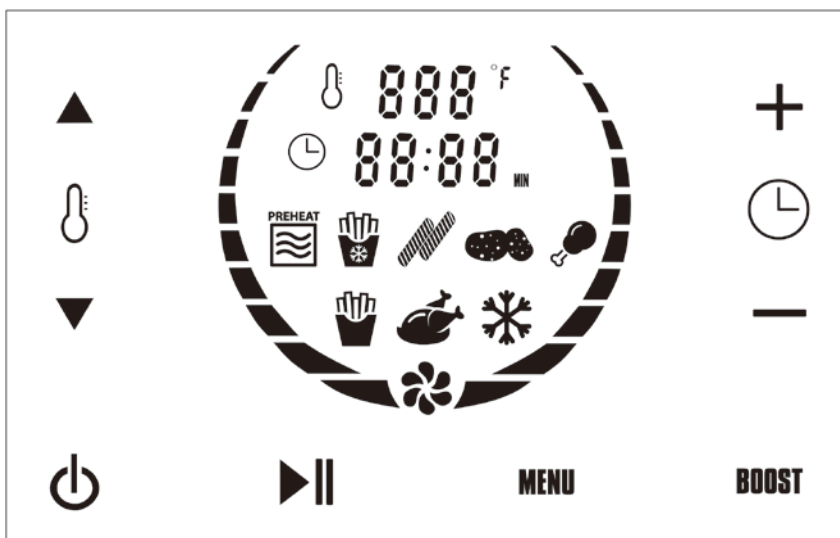


1. Main body
2. "Sensor touch control" operating panel
3. Cord and plug
4. Frying basket
5. Release button & protect cover
6. Handle
7. Handle slot
8. Frying pot

4.2 Control Panel



- 10. Temperature control
- 11. On/off button
- 12. Start/pause button
- 13. Set temperature
- 14. Set time
- 15. Timer control
- 16. 8 pre-set programs
- 17. Boost function



4.3 Rating plate

The rating plate with the connection and performance data can be found on the bottom of the appliance.

5 Operation

This chapter provides instructions for the proper operation of your Air Fryer:

5.1 Prior to the first use

1. Remove the appliance from the packaging.
2. Clean the appliance exterior thoroughly to remove any manufacturing residues by using a damp cloth. Handwash the removable frying pot and frying basket with warm water and soap or place in the dishwasher. Do not use any abrasive cleaners or scouring pads.

5.2 Overheating safeguard

The Air Fryer has an overheating safeguard installed. The safeguard is activated once the temperature reaches its threshold. If this happens, let the appliance cool down by following these steps:

1. Shut down the appliance by pressing the Off button.
2. Give the appliance ample time to cool down.

5.3 Hotkey function

The Air Fryer has a default setting of 350 °F (175 °C) and 10 min.

1. Put the plug (3) into the socket. You will hear a beep and the on/off button (11) appears.
2. Keep the on/off button pressed for 3 sec. The digital display will switch on. In the display you will see “350 °F” (175 °C) and “10 min”.
3. Press the blinking start/pause (12) button.
4. The Air Fryer will switch on and the time in the display will run down. When the Air Fryer is done you will hear a beep. The display will turn off and the hot Air Fryer will enter standby mode.

5.4 Boost

The Air Fryer is equipped with a “BOOST Function” button .

Through this function you can pre-heat the air fryer to 430°F (220°C) within 5 min. or use as a broiling function. Recommended operation: 1. Use this function to preheat the empty air fryer before cooking. 2. Use this function in form of broiling the food to achieve the wanted level of browning/crusting. **WARNING** - Do not use this function continuously, the Air Fryer may get hot and/or overheat.

Never fill the frying basket beyond the MAX-line indication.

5.5 Program settings

The Air Fryer has a default setting of “350 °F” (175 °C) and “10 min”. You can adjust this manually.

Adjusting the temperature:

1. Put the plug (3) into the socket. You will hear a beep and the on/off button (11) appears.
2. Keep the on/off button pressed for 3 sec. The digital display will switch on.
3. Press UP (10a) to increase the temperature. The maximum temperature is 400 °F (205 °C).
4. Press DOWN (10b) to decrease the temperature. The minimum temperature is 140 °F (60 °C).

PLEASE NOTE

- ▶ The temperature is adjustable in 10 °F increments.

Adjusting time:

1. Press UP (15a) to increase the time. You can increase the time UP to 60 min (the display will show 01.00). Press DOWN (15b) to decrease the time DOWN to 1 min (the display will show 00.01).

PLEASE NOTE

- ▶ The time is adjustable in increments of 1 min.

2. When you are done setting the temperature and time, press the blinking start/pause button (12). The Air Fryer will switch on and the time in the display will run down. When the Air Fryer is done you will hear a beep. The display will turn off and the Air Fryer will enter into standby mode.

PLEASE NOTE

- ▶ If you do not press the start button, the Air Fryer will switch to its standby mode after +/- 1 min.
- ▶ After the Air Fryer has started its program you will still be able to adjust the time and temperature at any moment by pressing the appropriate buttons.

5.6 8 auto pre-set programs

The Air Fryer is equipped with 8 auto pre-set programs. With these programs you can easily cook different foods by selecting the right programs.

1. Put the plug (3) into the socket. You will hear a beep and the on/off button (11) appears.
2. Keep the on/off button pressed for 3 seconds. The digital display will switch on.
3. Press the menu button (16) again to select next programs.
4. When you are done selecting the program, press the blinking start/pause button (12). The Air Fryer will switch on and the time in the display will run down.



Auto pre-set programs:

Program 1: PREHEAT 380 °F (190 °C) 3 min



Program 2: Frozen fries 400 °F (205 °C) 12 min



Program 3: Frozen cheesesticks 320 °F (160 °C) 10 min



Program 4: Frozen nuggets 350 °F (175 °C) 15 min



Program 5: Frozen chicken wings 350 °F (175 °C) 20 min



Program 6: Fresh home made fries 400 °F (205 °C) 25 min



Program 7: Fresh home made fried chicken 400 °F (205 °C) 38 min



Program 8: Defrost 140 °F (60 °C) 5 min

PLEASE NOTE

- ▶ If you do not press the start button, the Air Fryer will switch to its standby mode after +/- 1 min.
- ▶ After the Air Fryer has started its program you will still be able to adjust the time and temperature at any moment by pressing the appropriate buttons.

5.7 Use

This multi-function appliance can not only be used as an Air Fryer but as an oven as well, so with its simple settings you can easily and endlessly vary. The baking time for oven dishes is often much shorter as well, and pre-heating only takes 2-3 min.

1. Place the appliance on a stable, horizontal, flat surface.
2. Pull out the frying pot by using its handle and place it on a stable, horizontal, flat surface. Press the release button and take the frying basket out of the frying pot.

PLEASE NOTE

- ▶ Do not press the release button when removing the frying pot from the appliance.

3. Place the food into the frying basket and insert it into the frying pot until you hear a click.

PLEASE NOTE

- ▶ Never fill the frying basket and insert it into the frying pot until you hear a click.

4. Enter the frying pot with the frying basket into the appliance until you hear a click.
5. Set the desired time and temperature. See “Program settings”.

PLEASE NOTE

- ▶ It's recommended to pre-heat the appliance for 3 min without any foods if the appliance is still cold.
- ▶ Half way (or several times, depending on total frying time) through the frying process, it is recommended to take out the frying basket and shake the food around a bit (or use tongs to turn more delicate food) to make sure it gets properly browned on all sides. The timer will not stop running if you do this but the heating element will pause until the frying pot has been inserted into the appliance again.
- ▶ Do not touch the frying pot and frying basket, they can become very hot. Take precautions against burns. Always place the hot frying pot onto a trivet or other heat resistant surface.

-
6. When the program is done you will hear a beep. The appliance will stop heating. Pull the frying pot from the appliance by the handle and place it on a stable, horizontal, flat, heat resistant surface.

PLEASE NOTE

- ▶ Do not press the release button when removing the frying pot from the appliance.
- ▶ Do not touch the frying pot and the frying basket, they can become very hot. Take precautions against burns. Always place the hot frying pot onto a trivet or other heat resistant surface.

7. Press the release button and lift out the frying basket from the frying pot.
8. Place the foods on a dish or plate.
9. Switch off the appliance if you are done. Press the on/off button (11). If you do nothing, the Air Fryer will switch to its standby mode after +/- 1 min.

5.9 Storage

Store the appliance in its upright position, out of the reach of children.

PLEASE NOTE

- ▶ *Always unplug the appliance from its outlet immediately after using and before cleaning.

6 Cleaning and Maintenance

This chapter provides you with important notices with regard to cleaning and maintaining the appliance. Please observe the notices to prevent damages

6.1 Safety information

ATTENTION

Please observe the following safety notices, before you clean the appliance:

- ▶ The appliance must be cleaned and food residues must be removed regularly. If the appliance is not maintained, this will have a negative effect on the service life of the appliance. It can also result in the growth of fungus and bacteria.
- ▶ Switch the appliance off and unplug the plug from the wall power outlet before cleaning.

ATTENTION

- ▶ Clean the appliance right after use after it has cooled down. Extended waiting unnecessarily complicates cleaning and can make it impossible in extreme cases. Excessive accumulations of dirt can even damage the appliance under certain circumstances.
- ▶ If water penetrates the appliance, this can damage the electronic components.
- ▶ Do not dip the appliance into water or other liquids and do not put it into the dishwasher.
- ▶ Do not use any aggressive or abrasive cleaning agents or solvents.
- ▶ Do not use abrasive brushes for cleaning.

6.2 Cleaning

◆ Before cleaning

- Press the on/off button (11) and remove the plug from of the socket.
- Let the appliance cool down.
- Remove the frying pot from the appliance.
- Press the release button and take the frying basket out of the frying pot.

◆ Appliance exterior

- Wipe with a damp cloth or sponge and mild dish soap.
- Dry it off thoroughly after cleaning.

◆ Appliance interior

- Remove remaining food parts by wiping them off with absorbent paper towels.
- Clean the frying pot and frying basket thoroughly with hot water, dish-washing soap and a non-grating sponge.
- The frying pot and frying basket can also be cleaned in a dishwasher. Dry them off thoroughly after cleaning.

PLEASE NOTE

- ▶ Clean the appliance and its loose parts thoroughly after each use.
- ▶ Carefully return all removable parts to their original positions to avoid air leakage or faulty operation.
- ▶ Do not clean the appliance by spraying water on it.

PLEASE NOTE

- ▶ Never use abrasive or scouring cleaning agents or sharp objects (such as knives or hard brushes) to clean the appliance.

DANGER

- ▶ Verify that the appliance is not connected to the power supply before you clean it.
- ▶ Never immerse the heating element appliance in water or other liquid and never place it under running water.

7 Troubleshooting

This chapter provides you with important notices with regard to operating the appliance. Observe the following notices to avoid dangers and damages:

7.1 Safety notices

ATTENTION

- ▶ Only qualified electricians, who have been trained by the manufacturer, may carry out any repairs on electrical equipment.
- ▶ Improperly performed repairs can cause considerable danger to the user and damages to the appliance.

PLEASE NOTE

- ▶ In the event of technical troubles, faulty appliances or missing parts, please contact Customer Service at (800) 827 2582 or (803) 548 2000.

8 Disposal of the Old Appliance



Electrical appliances should never be incinerated or thrown away in a non-recyclable waste container.

Please dispose of all electrical appliances in an approved recyclable waste container or area.

9 Warranty

We provide a 12 month warranty for this product, beginning with the date of purchase, for faults which are attributable to production or material faults.

The warranty does not include damages which were incurred as a result of improper handling or use, as well as malfunctions which only have a minor effect on the function or the value of the appliance. Excluded from this warranty are shipping damage and damage resulting from unauthorized repair.

This appliance is designed for private household use and has the appropriate performance levels.

Any commercial use is only covered under the warranty to the extent that it would be comparable with the stresses of being used in a private household. It is not intended for any additional, commercial use.

In the event of justified complaints, we will repair the faulty appliance at our discretion or replace it.

Any visible damages must be reported within 14 days of receipt.

All further claims are excluded.

To submit a warranty claim, please contact us prior to returning the appliance (always provide us with proof of purchase):

USA Branch

CASO Design USA LLC

50 Mountain View Rd

Warren, NJ, 07059

Info@CasoDesignUSA.com

www.CasoDesignUSA.com

10 Technical Data

| | |
|------------------------------------|------------------------|
| Appliance | Air Fryer |
| Name | AF 300 |
| Item No.: | 13172 |
| Power | 120 V, 60 Hz |
| Power consumption | 1400 W |
| External measurements (W x H x D): | 15.25" x 3.50" x 9.75" |
| Net weight | 4.62 lbs |

